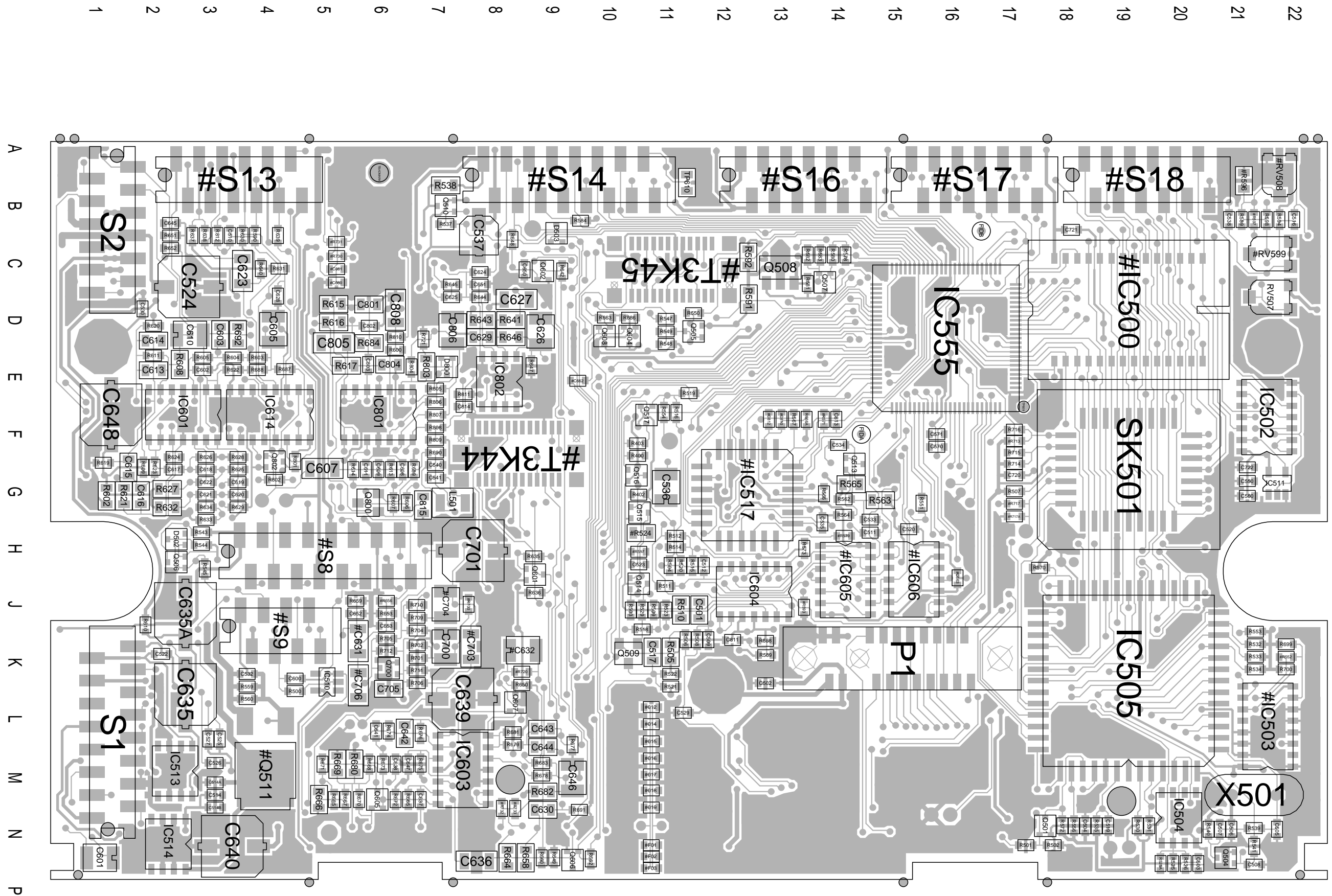
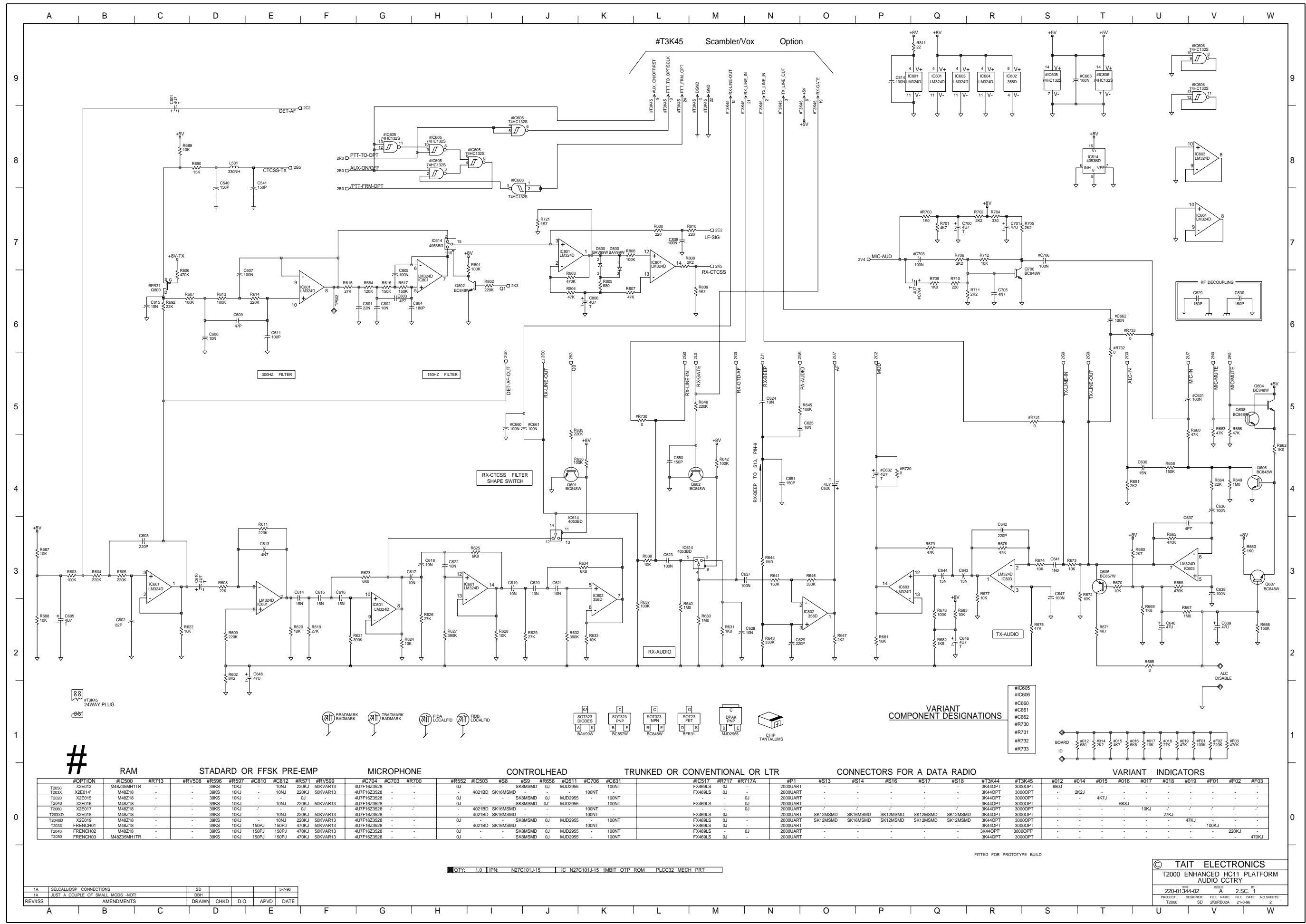
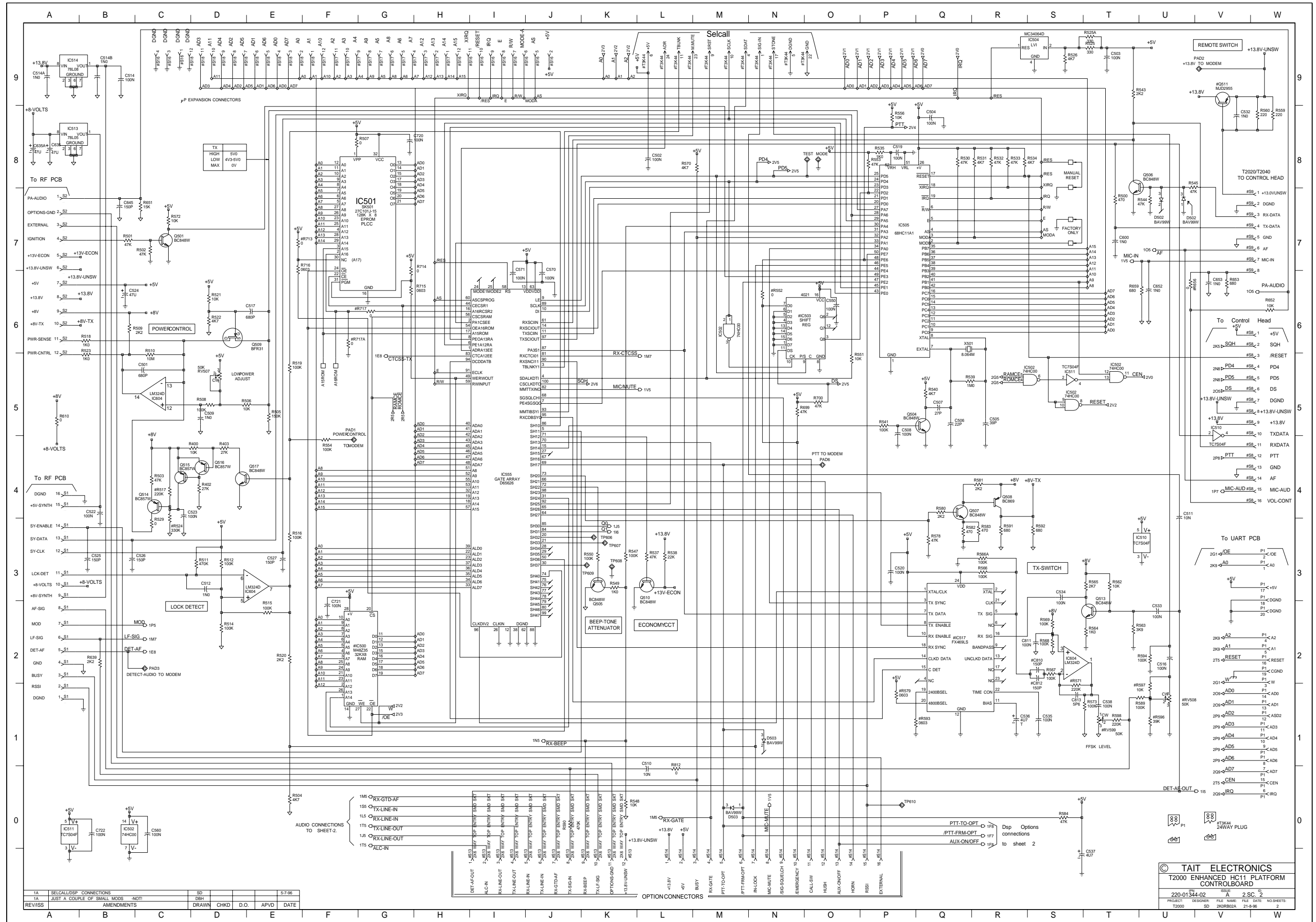


T2020, T203X, T2040, T2050 & T2060
HC11 Logic PCB Layout
Bottom Side
IPN 220-01344-02



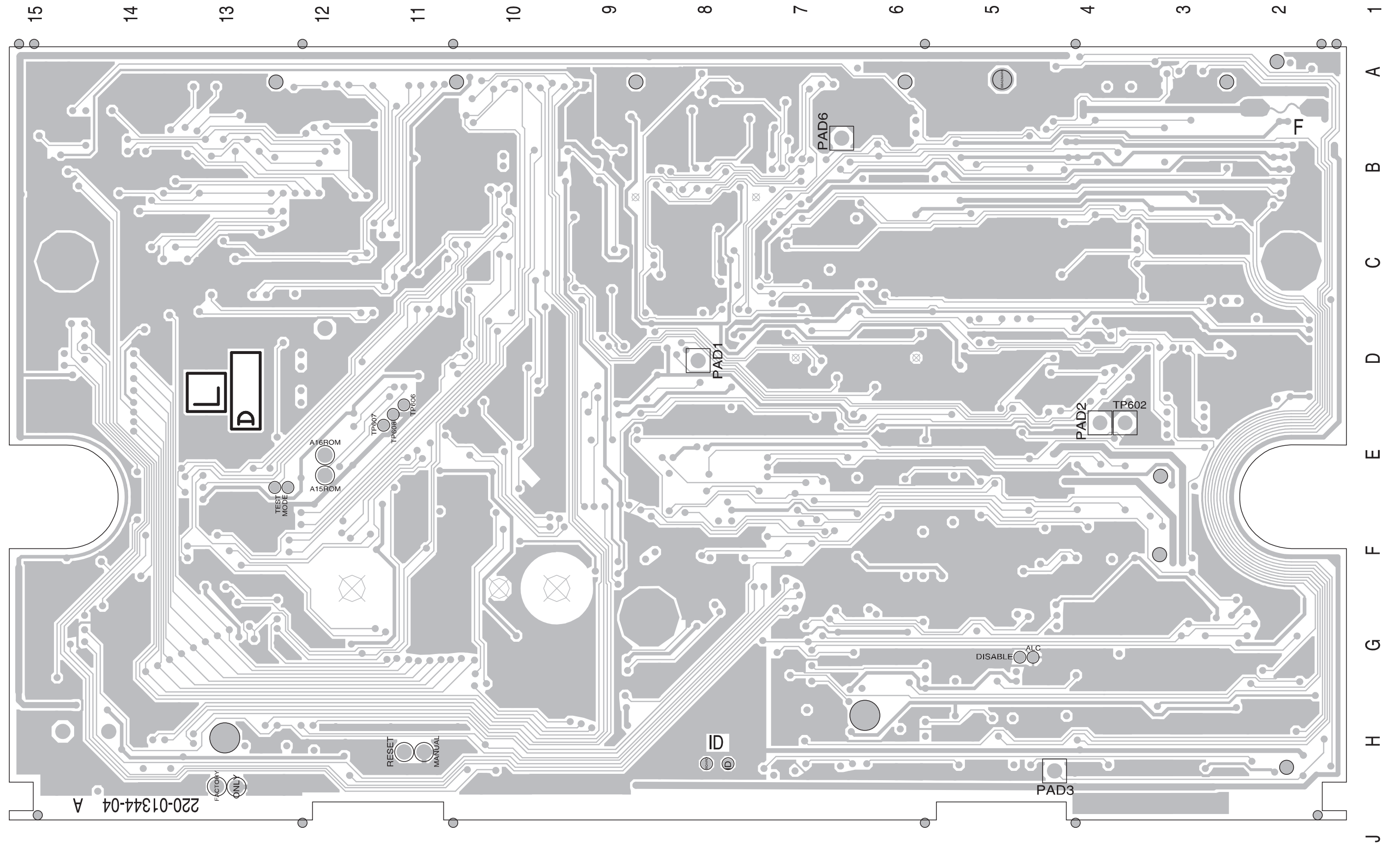
T2020, T203X, T2040, T2050 & T2060
HC11 Logic PCB Layout
Top Side
IPN 220-01344-02



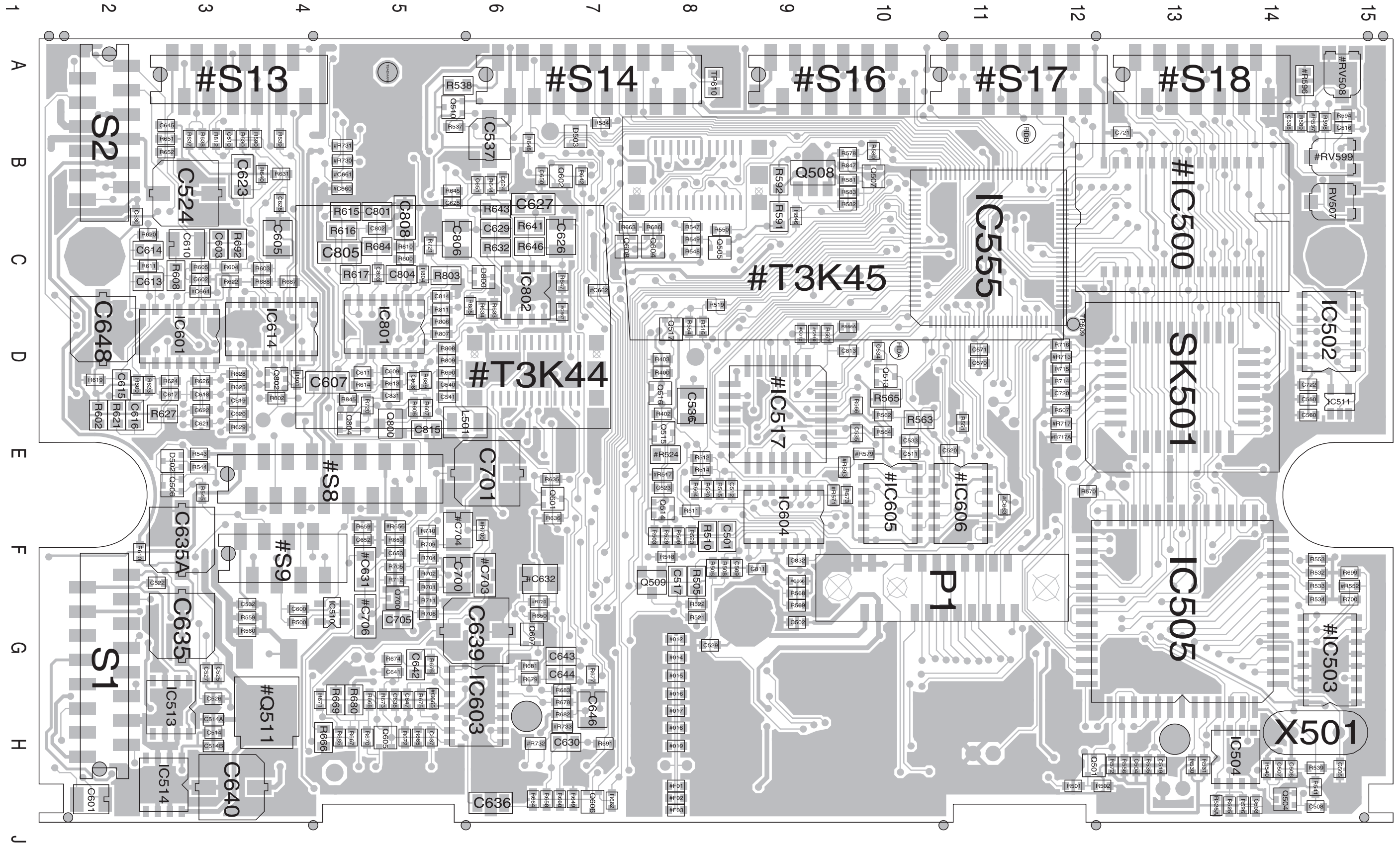


REV	DESCRIPTION	DATE
1A	SELCALLDSP CONNECTIONS	5-7-96
1A	JUST A COUPLE OF SMALL MODS -NOT!	
REV	AMENDMENTS	DATE

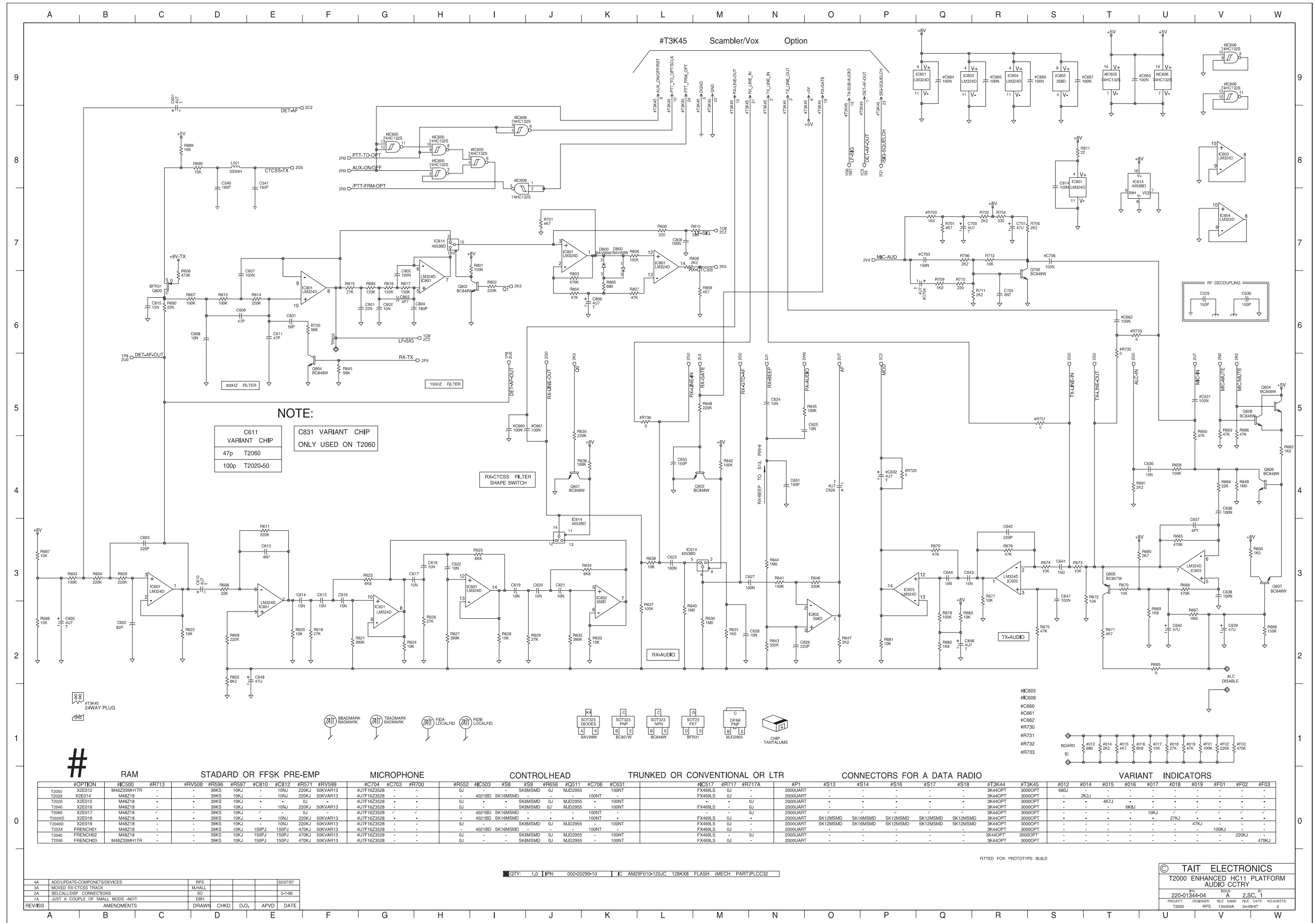
© TAIT ELECTRONICS	
T2000 ENHANCED HC11 PLATFORM CONTROLBOARD	
PROJECT	DESIGNER
FILE NAME	FILE DATE
NO. SHEETS	
T2000	21-8-96



T2020, T203X, T2040, T2050 & T2060
HC11 Logic PCB Layout
Bottom Side
IPN 220-01344-04



T2020, T203X, T2040, T2050 & T2060
HC11 Logic PCB Layout
Top Side
IPN 220-01344-02



NOTE:

C611	VARIANT CHIP
47p	T2060
100p	T2020-50

C831 VARIANT CHIP
ONLY USED ON T2060

#

OPTION	RAM	STADARD OR FFSK PRE-EMP	MICROPHONE	CONTROLHEAD	TRUNKED OR CONVENTIONAL OR LTR	CONNECTORS FOR A DATA RADIO	VARIANT INDICATORS
T2050	X2E012	M4823MH1TR	-	-	-	-	-
T203X	X2E014	M48218	-	-	-	-	-
T2030	X2E015	M48218	-	-	-	-	-
T2040	X2E016	M48218	-	-	-	-	-
T2060	X2E017	M48218	-	-	-	-	-
T203XD	X2E018	M48218	-	-	-	-	-
T2040D	X2E019	M48218	-	-	-	-	-
T203X	FRENCH01	M48218	-	-	-	-	-
T2040	FRENCH02	M48218	-	-	-	-	-
T2050	FRENCH03	M4823MH1TR	-	-	-	-	-

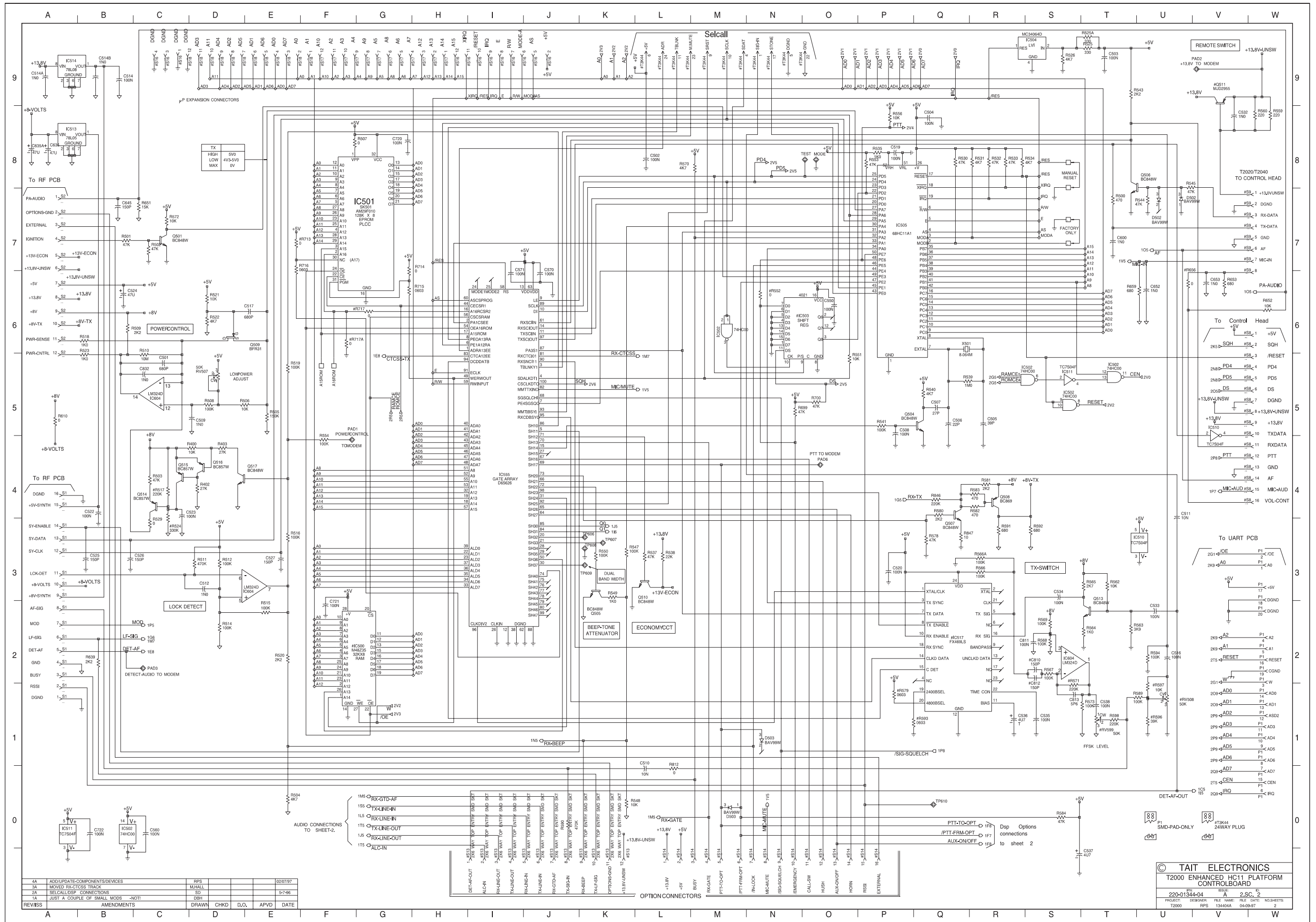
REV/ISS	AMENDMENTS	DRAWN	CHKD	D.O.	APVD	DATE
4A	ADD/UPDATE COMPONENTS/DEVICES	RFS				02/07/97
3A	MOVED RX-CTCSS TRACK	MHALL				5-7-96
2A	SEL/CALL/DSP CONNECTIONS	SD				
1A	JUST A COUPLE OF SMALL MODS -NOT!	DBH				

QTY: 1.0 IPN: 002-20290-10 IC AM29F010-120JC 128KX8 FLASH (MECH PART)PLCC32

FITTED FOR PROTOTYPE BUILD

TAIT ELECTRONICS
T2000 ENHANCED HC11 PLATFORM
AUDIO CTRY

REV: A 2.S.C. 1
PROJECT: 220-01344-04
DESIGNER: 134404A
FILE NAME: 04-09-97
DATE: 2



REV	DESCRIPTION	DATE
4A	ADD/UPDATE COMPONENTS/DEVICES	02/07/97
3A	MOVED RX-CTCSS TRACK	
2A	SELCALL DSP CONNECTIONS	5-7-96
1A	JUST A COUPLE OF SMALL MODS -NOT!	
REVISS	DESIGNER	CHKD
	D.O.	APVD
	DATE	

© TAIT ELECTRONICS
 T2000 ENHANCED HC11 PLATFORM
 CONTROL BOARD
 IPN 220-01344-04
 PROJ: T2000ENH FILE: NAME: FILE: DATE: NO: SHEETS: 2
 T2000 RPS 134494A 04-09-97

